

# DocuCentre SC2020 Specifications

## Basic Specifications / Copy Function

Item	Description
Type	Desktop
Memory Capacity	512 MB (Max. 512 MB)
Hard Disk Capacity	—
Colour Capability	Full colour
Scan Resolution	600 x 600 dpi
Print Resolution	Output resolution : 1200 x 2400 dpi Data processing resolution : 600 x 600 dpi
Warm-up Time	39 seconds or less (At room temperature 20 °C)
Original Size	Maximum of 297 x 432 mm (A3, 11 x 17") for both Sheet and Book
Paper Size	Max. A3, 11 x 17"
	Min. A5 (Bypass Tray : Non-standard size : 89 x 98 mm)
	Image Loss Width Lead edge 5.5 mm or less, trail edge 5.5 mm or less, right / left edge 5.5 mm or less
Paper Weight*1	Tray 1 : 60 to 90 gsm, Tray 2(Optional) : 60 to 256 gsm
	Bypass Tray 60 to 216 gsm
First Copy Output Time	B / W : 8.6 seconds (A4 LEF / Monochrome priority mode) Colour : 10.8 seconds (A4 LEF / Colour priority mode)
Continuous Copy Speed*2	A4 LEF B / W : 20 ppm, Colour : 20 ppm
	A4, B4, A3, B5 LEF / BS B / W : 12 ppm, Colour : 12 ppm
Paper Tray Capacity	Standard Tray 1 : 250 sheets*3 Bypass Tray : 100 sheets*4
	Optional Tray 2 : 500 sheets*3
	Max. 850 sheets (Main Unit + One Tray Module)
Output Tray Capacity	250 sheets (A4)*3
Power Source	AC 220 - 240 V ±10 %, 5 A, 50 / 60 Hz common
Power Consumption	220 V : 1.1 kW or less, 240 V : 1.2 kW or less Sleep Mode : 1.4 W or less, Low Power Mode : 46 W or less, Ready Mode : 78 W or less
Dimensions	W 595 x D 586 x H 549 mm (with platen cover)
	W 595 x D 586 x H 634 mm (with document feeder)
Weight*5	43 kg (with platen cover)
	49 kg (with document feeder + Duplex Output Unit)

\*1 : It is recommended to use Fuji Xerox recommended paper. Correct print output may not be possible depending on the requirement. \*2 : The speed may be reduced due to the image quality adjustment. \*3 : When using 80 gsm paper. \*4 : When using 64 gsm paper. \*5 : Excluding Toner Cartridge.

## Print Function

Item	Description
Type	Built-in type
Continuous Print Speed	Same as the Basic Specifications / Copy Function
Print Resolution*1	Output Resolution 1200 x 2400 dpi
	Data Process Resolution 600 x 600 dpi
Page Description Language	PCL6 / PCL5e, HBPL
Operating System*2	PCL6 Driver (Standard) Windows® XP (32bit), Windows Server® 2003 (32bit) Windows Vista® (32bit), Windows Server® 2008 (32bit) Windows® 7 (32bit), Windows® 8 (32bit) Windows® 8.1 (32bit), Windows® XP Professional (64bit) Windows Server® 2003 (64bit), Windows Vista® (64bit) Windows Server® 2008 (64bit), Windows® 7 (64bit) Windows Server® 2008 R2 (64bit), Windows® 8 (64bit) Windows Server® 2012 (64bit), Windows® 8.1 (64bit) Windows Server® 2012 R2 (64bit)
	Mac OS X-Driver (Standard) Mac OS X 10.5 / 10.6 / 10.7, OS X 10.8 / 10.9
Interface	Ethernet 100BASE-TX / 10BASE-T, USB 2.0

\*1 : The speed may be reduced due to the image quality adjustment. The speed may also be reduced depending on the document attributes. \*2 : Please refer to the Fuji Xerox website for the latest supported operating systems.

### Notes

- 1) If the storage media (such as hard disk drives) of the base unit fail, loss of received data, accumulated data, registered setting data, etc. may occur. In no event shall Fuji Xerox be liable for any damages whatsoever arising from loss of data.
- 2) Functional spare parts will be available for at least 7 years after the product is no longer manufactured.
- 3) The product specifications, appearance and other details in this catalog are subject to change without notice for improvements.

Other company names or product names are registered trademarks or trademarks of each company.

**Reproduction Prohibitions** Please note that reproduction of the following is prohibited by law : Domestic and foreign currencies, government-issued securities, and national bonds and local bond certificates. Unused postage stamps, post cards, etc. Certificate stamps stipulated by law. Reproducing works forming the subject matter of copyright (literary works, musical works, paintings, engravings, maps, cinematographic works, drawings, photographic works, etc.) is not permitted unless the reproduction is for the purpose of personal use, family use or other similar uses within a limited circle.

## Scan Function

Item	Description
Type	Colour Scanner
Scan Resolution	TWAIN Monochrome and greyscale : 600 x 600 dpi, 400 x 400 dpi, 300 x 300 dpi, 200 x 200 dpi, 150 x 150 dpi Colour : 400 x 400 dpi, 300 x 300 dpi, 200 x 200 dpi, 150 x 150 dpi
	WIA Colour, monochrome and greyscale : 400 x 400 dpi, 300 x 300 dpi, 200 x 200 dpi, 150 x 150 dpi
Scanning Speed*	B / W : 24 ppm, Colour : 19 ppm [Fuji Xerox standard paper (A4 LEF), 200 dpi]
Interface	Ethernet 100BASE-TX / 10BASE-T, USB 2.0

Note : WIA stands for Windows Imaging Acquisition. \* : The scanning speed varies depending on the documents.

## Fax Function (Optional)

Item	Description
Send Document Size	Max : A3, 11 x 17"
Recording Paper Size	Max : A3, 11 x 17" Min : A5
Transmission Time	2 seconds and more but fewer than 3 seconds*
Transmission Mode	ITU-T G3
Applicable Lines	Telephone subscriber line, PBX, Fax communication (PSTN), Max. 1 port

\* : When A4 size document with approximately 700 characters is transmitted in standard image-quality (8 x 3.85 lines / mm) and in high-speed mode (28.8kbps or faster, JBIG). Only indicates the time for transmitting the image information and does not include the communication control time. The total communication time will vary depending on the contents of the document, the type of machine receiving the fax, and line condition.

## Duplex Automatic Document Feeder

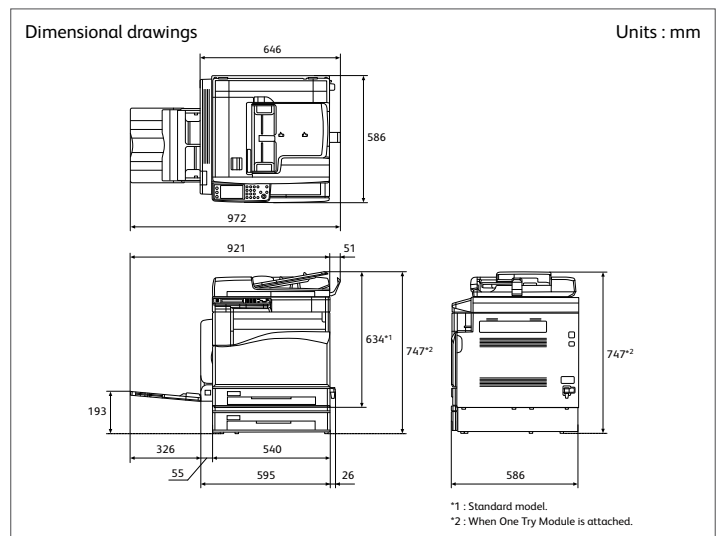
Item	Description
Original Size / Paper Weight	Max. : A3, 11 x 17" Min. : A5 (Non-standard size : 125 x 125 mm) 38 to 128 gsm (2 Sided : 50 to 128 gsm)
Capacity*	110 Sheets
Feeding Speed (A4 LEF Simplex)	B / W : 20 ppm, Colour : 18 ppm
Dimensions	W 540 x D 492 x H 119 mm
Weight	7 kg

\* : 80 gsm paper.

## One Tray Module (Optional)

Item	Description
Paper Size	Same as the Basic Functions / Copy Function
Paper Weight	60 to 256 gsm
Paper Feed Capacity*	500 sheets
Dimensions	W 541 x D 586 x H 113 mm
Weight	11 kg

\* : 80 gsm paper.



**For Your Safety**  
Before using the product, read the Instruction Manual carefully for proper use. Use the product with the power source and voltage specified. Be sure to establish ground connection. Otherwise, electronic shock may result in the case of a failure or short circuit.



For more information or detailed product specification, please call or visit us at

## Fuji Xerox Vietnam Company Limited

4A Floor, Vincom Center  
72 Le Thanh Ton, District 1, Ho Chi Minh City  
Tel: (84-8) 38 290 038 FAX: (84-8) 38 290 032

## Ha Noi Branch

14<sup>th</sup> Floor, VCCI Tower,  
9 Dao Duy Anh, Dong Da Dist., Ha Noi  
Tel: (84-4) 38 241 063 FAX: (84-4) 38 241 113

<http://www.fujixerox.com.vn>

# DocuCentre SC2020

Give your small business a big voice.





Compact design and support for mobile access  
 Simple, easy-to-understand touch screen  
 High-resolution output (1200 x 2400 dpi)



**Copy Print** B / W : 20 ppm  
 Colour : 20 ppm

**Scan** B / W : 24 ppm  
 Colour : 19 ppm

**Fax** Max size : A3,  
 Super G3

**TEC\*** 1.2 kWh  
\*: Meets standards established by the International ENERGY STAR Program.

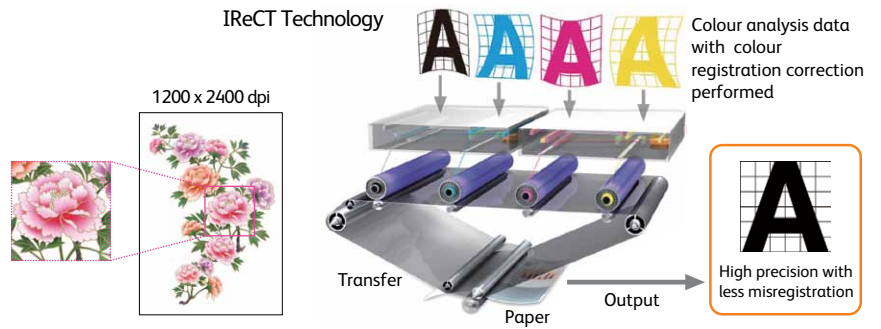
Simple and Easy Operation with the Colour Touch Screen Display (4.3 inch display). Touch Screen ensures simple operation.



# Colour Quality

## Excellent print quality

DocuCentre SC2020, image misregistration for each colour is corrected by digitally processed 2400 dpi high-resolution data, enabled by the "IReCT (Image Registration Control Technology)". This accomplishes improved registration accuracy and ultra-precision image with less misregistration.



# Function

## Copy ID cards

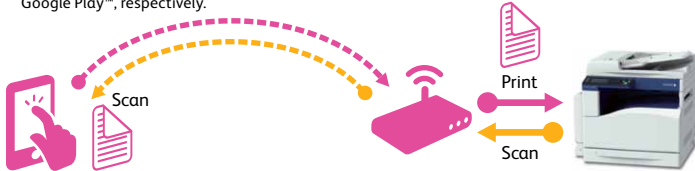
Easily copy both sides of an ID card, then print them out side-by-side on one sheet of paper. Simple on-screen instructions guide you through the process.

## Print and scan using mobile devices

Use a mobile device to print websites, photos. Convenient operation to match your mobile life-style. Documents can be scanned then imported to iPad, iPhone, Android\* or iPod Touch.

Note : Requires wireless LAN.

\*: Print Utility for iOS and Print Utility for Android™ can be downloaded for free from App Store and Google Play™, respectively.



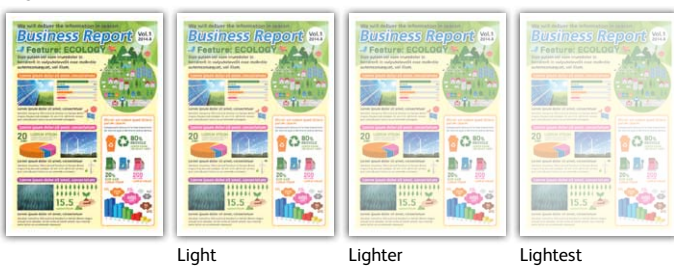
## Continuous printing of up to 999 pages

Designed for productivity and reliability to allow printing up to 999 pages per job.

# Ecology

## Toner Save Mode

Reduce toner consumption depending on print requirements. This mode calibrates toner density in three settings : Light, Lighter and Lightest.



Note : Toner reduction varies depending on data being printed. Results may also vary.

## Copy 2 pages to 1 sheet

Copy two pages of a document together onto one side of a single sheet of paper.

## Forward faxes to a server or via e-mail

Faxes you receive can be uploaded to a server or sent to registered e-mail addresses, eliminating the need to print each fax.



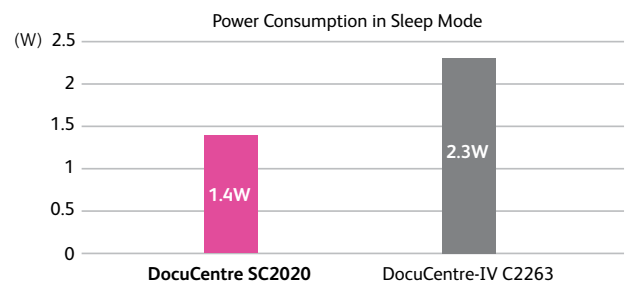
## Restrict output

Allow only registered users to print in colour. You can also limit the number of pages that can be printed.

Note : Unregistered users can be restricted to monochrome printing and prevented from all copying.

## Low power consumption

A low TEC of 1.2 kWh means decreased operating costs. In addition, DocuCentre SC2020 consumes only 1.4 W in sleep mode, the state that printers spend most of their time in.



# Other convenient features

## ① Fax Kit\*

## ② Duplex copying and printing

Automatic two-sided copying and printing reduces paper consumption.



## ③ 110 pages auto document feeder

Copying and scanning is fast and efficient thanks to the Duplex Automatic Document Feeder, which holds up to 110 pages.

## ④ One Tray Module\*

500 sheets tray

\*: optional